

Project: \_\_\_\_\_

Fixture Type: \_\_\_\_\_

Location: \_\_\_\_\_

Contact/Phone: \_\_\_\_\_

LJKT564A-5CCT is 6 inch LED AC Version Disc light for square and octagonal 4 and 5 inch junction box. The simple design with the built-in driver has a minimum of installation procedures. This LED Disc light is CCT adjustable. It makes the installation easier and faster than other types of Disc lights.

## DESCRIPTION

- Aluminum body dissipates heat from the LED board.
- 4 different colors for trim White, Black, Bronze, Satin Nickel.
- Use 5 CCT selectable switch on the LED chip.
- Fast and easy installation.

## LED LIGHT ENGINE

- Dimming down to 0% with most dimmers.
- Suitable for operation in ambient not exceeding 40°C
- Available in CCT 2700K, 3000K, 3500K, 4000K and 5000K
- CRI ≥80 or ≥90
- Long life LED chips guaranteed up to 50,000 hours.

## WARRANTY

Guaranteed five years from the purchase date of the products, against mechanical defects in manufacturing.

## LISTINGS

- cULus Listed
- cULus Classified
- Energy star qualified
- Wet locations (Not suitable for coastal/salt water area)
- Damp locations
- RoHS compliances
- Tested in accordance with IESNA LM79 & LM80

## PERFORMANCE DATA

Input Voltage	120V				
Input Power	16W				
Frequency	60Hz				
CRI	90				
T Ambient	-30°C ~ 40°C (-22°F ~ 104°F)				
CCT	2700 K	3000 K	3500 K	4000 K	5000 K
Lumens	950 lm	950 lm	990 lm	1040 lm	1050 lm

(all values at 25°C without a dimming control in circuit)

## ACCESSORY KIT

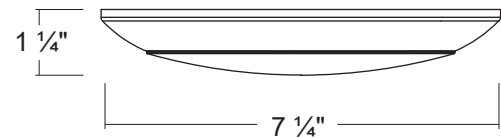


## LJKT564A-5CCT

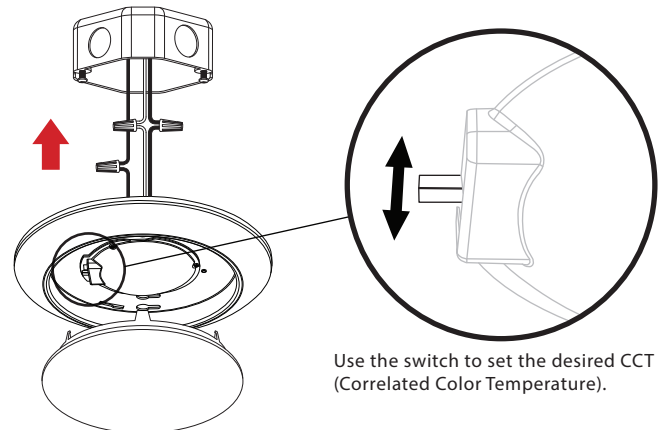
6" LED Disc Light / AC Version 5 CCT



## DIMENSIONS / INSTALLATION



### J - Box Installation



Use the switch to set the desired CCT (Correlated Color Temperature).

## PRODUCT CODES

Model NO.	Description
LJKT564A-W-5CCT	6" LED Disc Light / AC Version / White / 5 CCT
LJKT564A-B-5CCT	6" LED Disc Light / AC Version / Black / 5 CCT
LJKT564A-SN-5CCT	6" LED Disc Light / AC Version / Satin Nickel / 5 CCT
LJKT564A-BZ-5CCT	6" LED Disc Light / AC Version / Bronze / 5 CCT
LJKT56ACRY	Accessories for mounting on recessed can

### List of Triac Dimmer Switch

Mfr	Model #	Dimming Rate
Lutron	DVM-603PGH-WH	0 - 72%
Lutron	MSCL-OP153M	0 - 85%
Lutron	CT-103PH-WH	0 - 86%
Lutron	DV-600P-WH	0 - 87%
Lutron	MACL-153MLH	0 - 87%
Lutron	S-603PR-WH	0 - 87%
Lutron	S-600PR-WH	0 - 89%
Lutron	DVCL-153PR-WH	0 - 91%
Lutron	DVMCL-153PH-WH	0 - 92%
Lutron	SCL-153PR-WH	0 - 93%